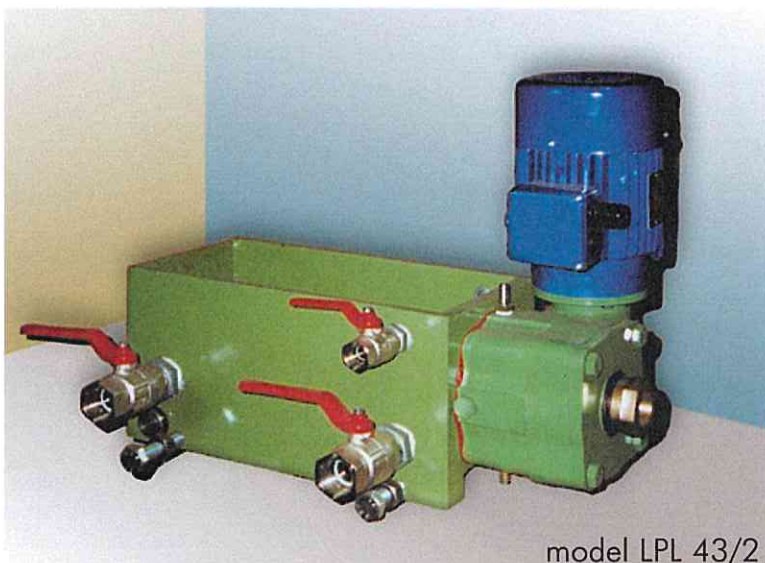
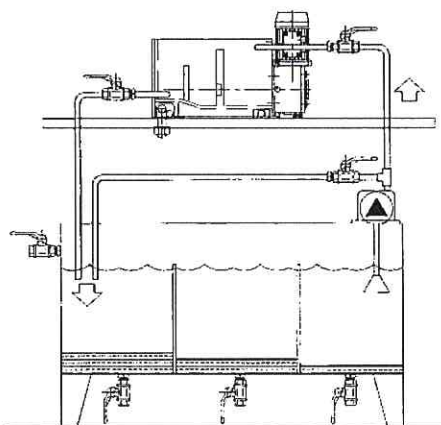


PLATING QUALITY WIRE TECHNOLOGY (PQW)

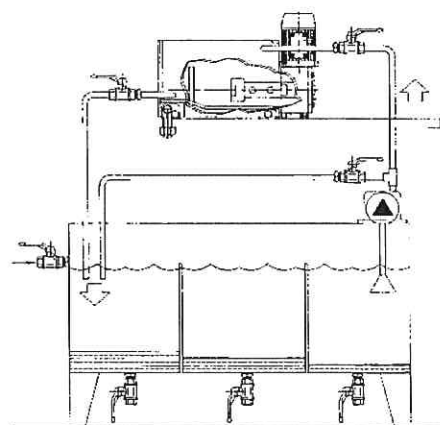


model LPL 43/2

Water tank for recycling to the soap box. (see Pan Chemicals Technology for plating quality wire)

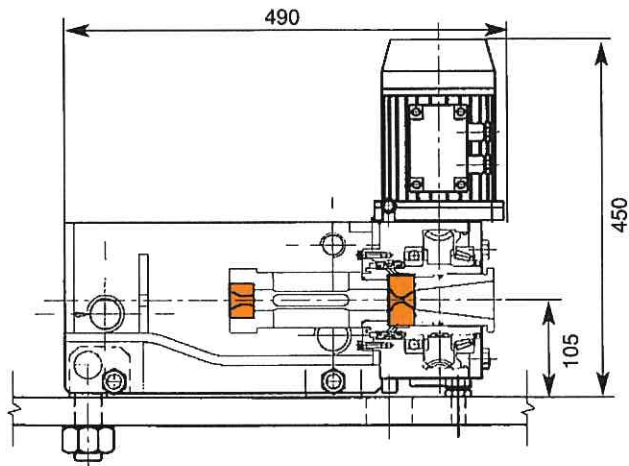


Rotating die box (model LPL 5/2)

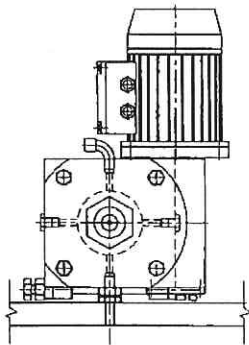
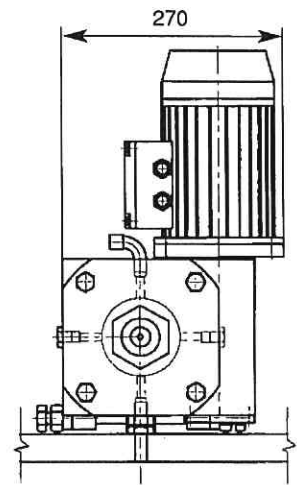


Water recycling tank (model 5T/5)

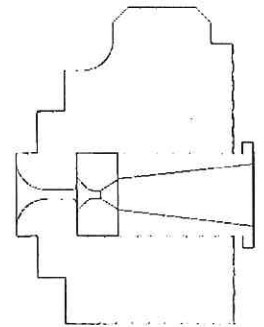
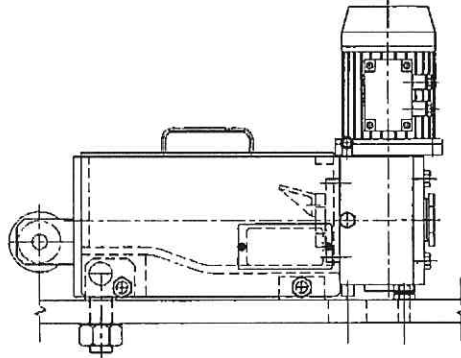
Rotating die box model	LPL 43	LPL 5	LPL 80	LPL 100
Suitable for die size	2 - 3 size	3-4 size	5 size	5 size
European standard	(43x27/43x30)	(43x30/53x40)	(63x40)	(70x35)
Asian standard	W 104	W 104 - W 105	W 106 - W 107	W 108 - W 109
American standard	R 4 - R 5	R 4 - R 5 - R 6	R 7 - R 8 - R 9	R 10
Pressure die system	built-in (LPL)	built-in (LPL)	option	option
Motor power	0.37 kW	0.37 kW	1 HP	1 HP
Die rotation (at 50 Hz)	20 rpm	20 rpm	42 rpm	29 rpm
Water cooling	direct/indirect	direct/indirect	direct	direct



LPL 5/2 (for final water cleaning - PWQ)



model LPL5



Built-in
LPL Pressure die system
Rotating die holder
Direct water cooled