

## ROTATING DIE BOXES

direct water cooling



model LPL 43

Rotating dies greatly improve lubrication, performance, die life and wire quality. A complete range of rotating die holders covers all die sizes and applications. Our rotating die boxes are: motor-driven, direct water cooled, suitable for single and pressure dies.

*(See Pan Chemicals Technology for high speed drawing by mechanical descaling).*

Built-in pressure die system

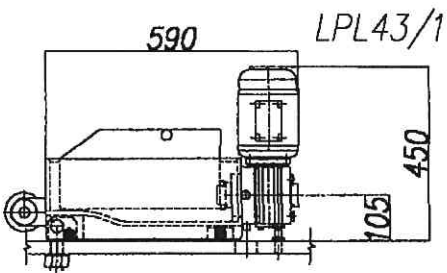
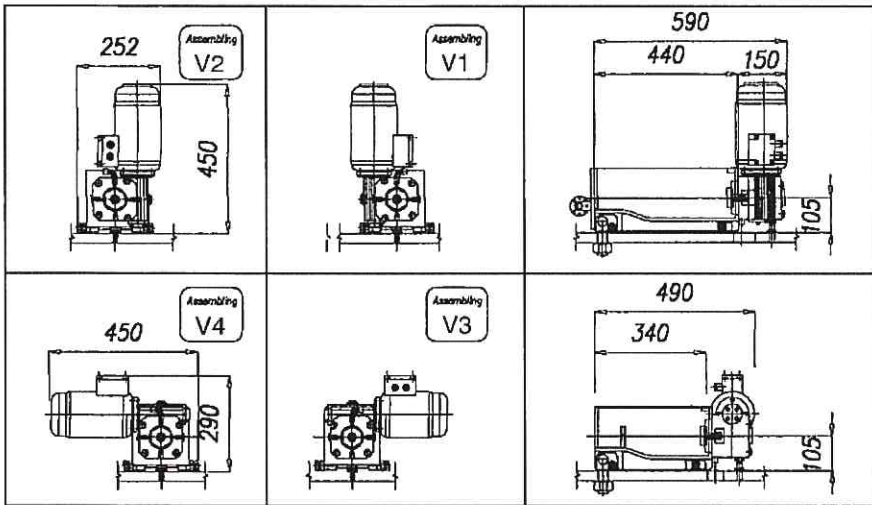
No extra pressure - die required

Use your own dies

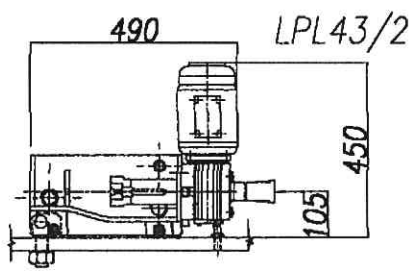
For the highest drawing performances

LPL SPECIAL PRESSURE DIE SYSTEM

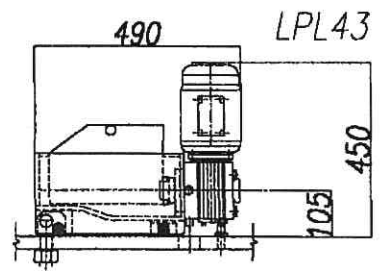
Different lay-outs  
for rotating die boxes



For 1<sup>st</sup> block



For final block with water cleaning (PQW)



For intermediate blocks

